

Receiver

From

Society
Reference
Address
Phone
Fax
E-mail

Item n° :

60199035

Model :

1 ESYBOX MAX 60/120 T

Pump data

Pressure rating : 11,84 atm
Constant pressure range : 0,986911,84 atm (2,961atm by default)
Min. fluid temperature : 0 °C
Max. fluid temperature : 50 °C
Max. Ambient temperature : 55 °C

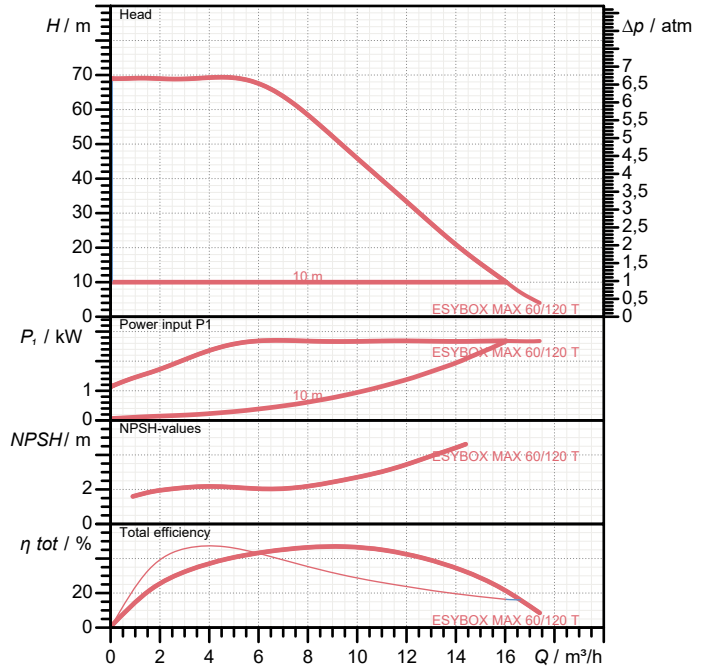
Requested data

Flow :
Head :
Fluid : Water
Fluid Temperature : 20 °C
Density : 998,3 kg/m³
Kinematic viscosity : 1,005 mm²/s
Vapor pressure : 0,02 atm

Materials

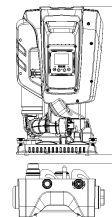
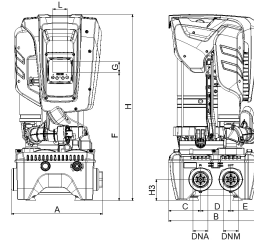
Fitting Technopolymer PA66 30%GF
Manifold Stainless Steel AISI 304
Flange Technopolymer PA66 30%GF
Pump body Technopolymer PA66 30%GF
Pump body ring Technopolymer PP 30%GF
Impeller Technopolymer PP 30%GF/AISI 304
Diffuser Technopolymer PP 30%GF/AISI 304
Motor axis Stainless Steel AISI 303
OR ring EPDM
Motor flange Technopolymer PA66 30%GF
Mechanical seal Impregnated carbon-resin/Silicon carbide/EPDM
Motor liner Stainless Steel AISI 304
Motor body Technopolymer PA66 30%GF
Conveyor tube Technopolymer PP 30%GF
Pressure sensor Nylon/EPDM
Non-return valve POM/EPDM/AISI 302
Non-return valve body Technopolymer PA66 30%GF
Tank Noryl/Rubber
Delivery body Technopolymer PA66 30%GF
Outer liner Stainless Steel AISI 304

Curve tolerance according to ISO 9906



Hydraulic data (duty point)

Flow :
Head :



Dimensions in mm

A	375	E	127,7	H3	87		
B	384	F	526	L	59,5		
C	131,8	G	45				
D	124,5	H	766				
DNA	1"1/4 - :	H1	613				
DNM	1"1/4 - :	H2	228				

Weight : 38 kg

Pump connection

Suction side : 1"1/4 - 2" G / 11,84 atm
Discharge side : 1"1/4 - 2" G / 11,84 atm

Motor data

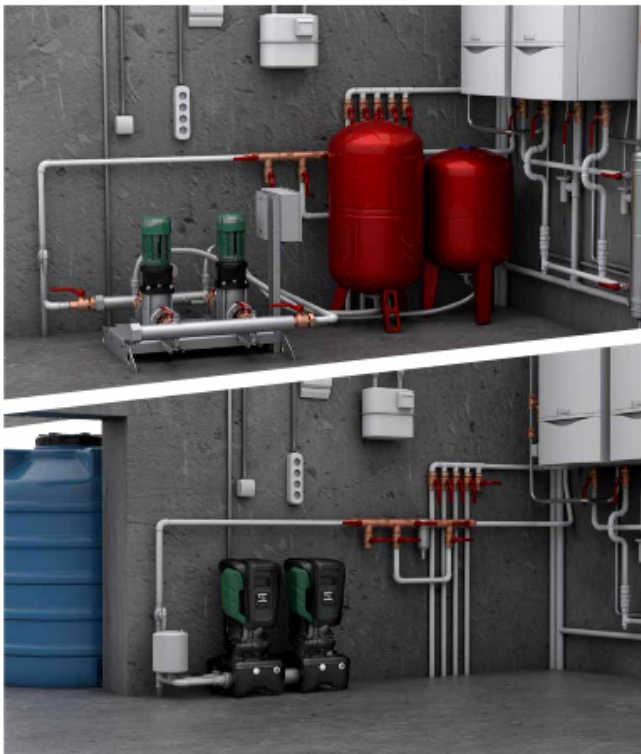
Power input P₁ : 1 x 2,65 kW
Maximum speed : 5.240 1/min
Rated voltage : 3~ 380-460 V 50 Hz
Nominal current : 1 x 4,2 A
Degree of protection : IP X5

ENERGY SAVING

BEFORE

AFTER

- 20%
Compared with
traditional inverter pump



D+CONNECT
BUILT-IN



As quick as a "click"





PERFORMANCE CURVES

2022-10-10

Page 3 / 4

DAB PUMPS S.p.A.
Via Marco Polo, 14 - 35035 Mestrino (PD), Italy
Tel. +39 049 5125000 - Fax +39 049 5125950
www.dabpumps.com

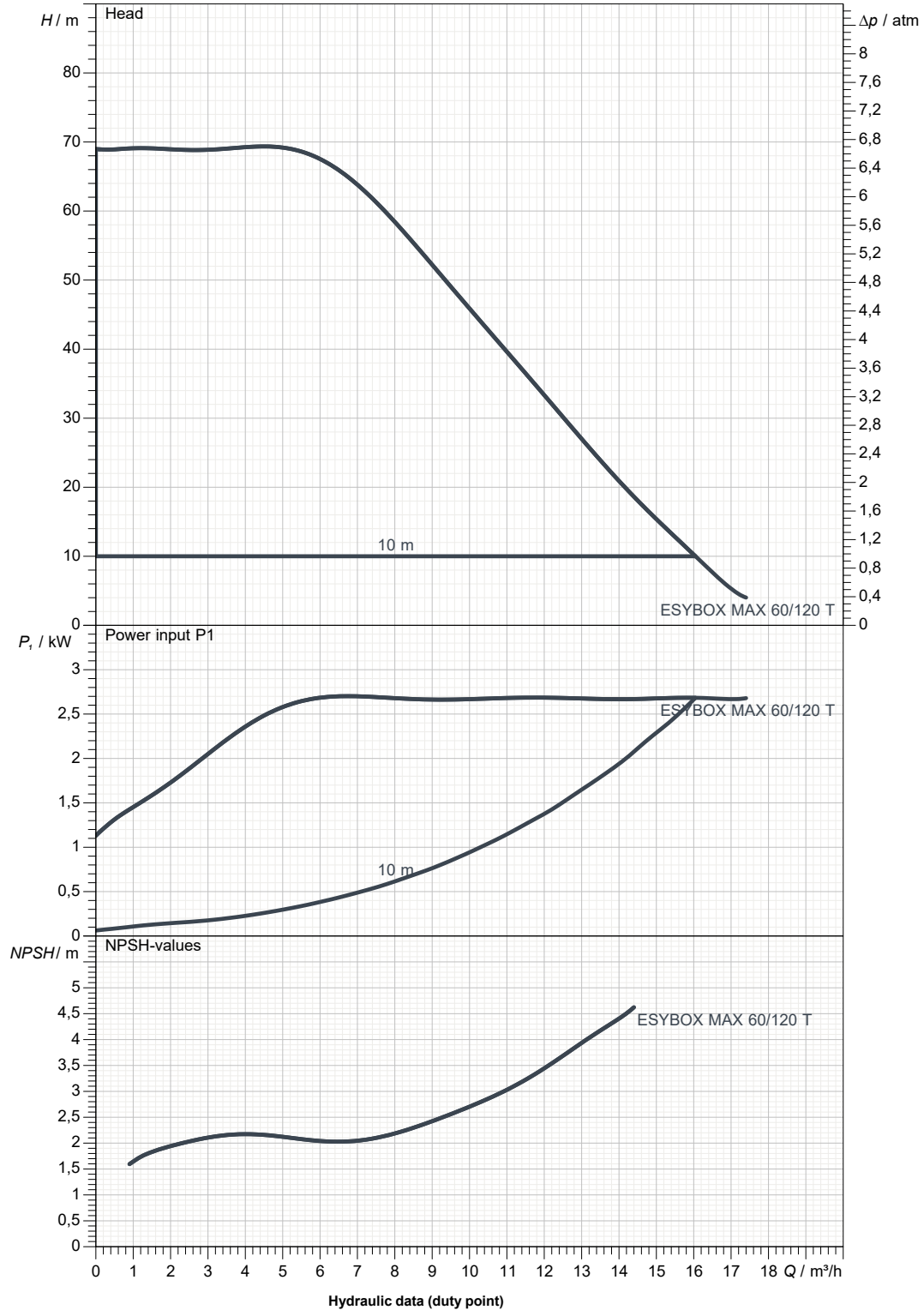
Receiver

From

Society
Reference
Address
Phone
Fax
E-mail

1 ESYBOX MAX 60/120 T

Curve tolerance according to ISO 9906



Suction side :
1"1/4 - 2" G
11,84 atm

Discharge side :
1"1/4 - 2" G
11,84 atm

Flow :

Head :

Rated speed :
5.240 1/min

MAIN_PROJECT_TITLE

BUSINESS_PROCESS_ID

OWNER_

ISSUE_DATE
2022-10-10



DIMENSIONAL DRAWING

2022-10-10

Page 4 / 4

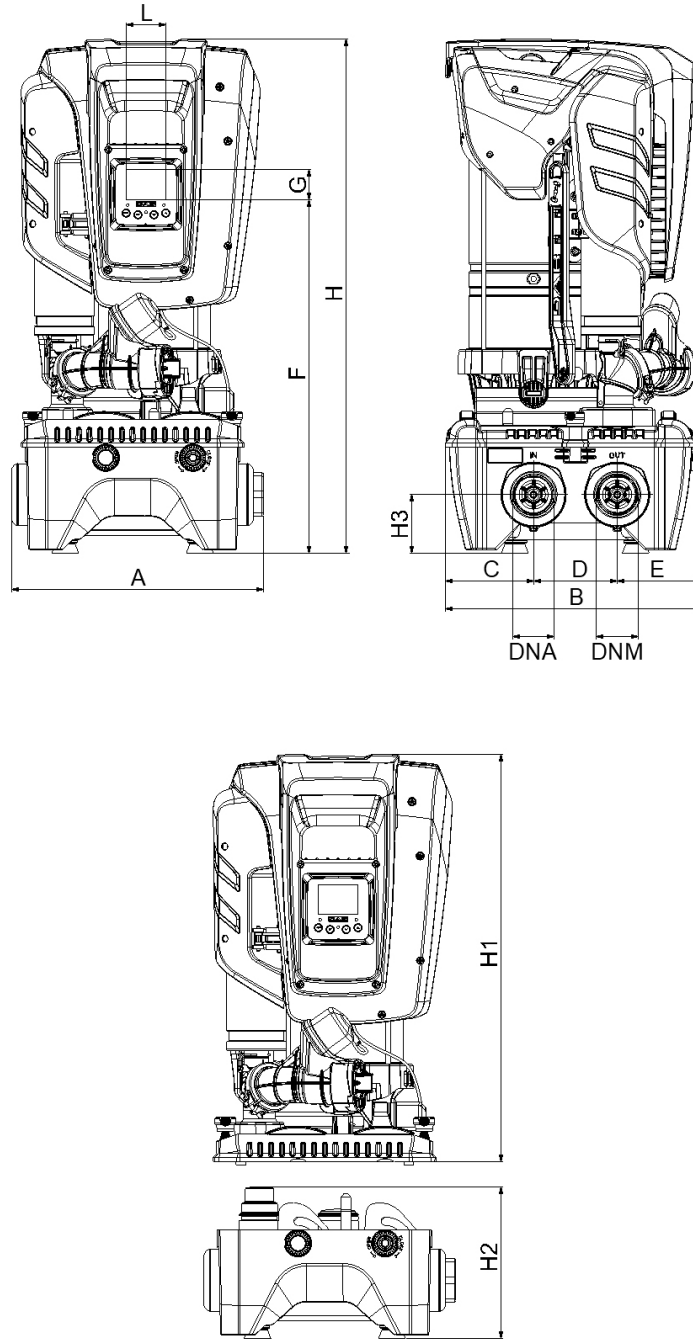
DAB PUMPS S.p.A.
Via Marco Polo, 14 - 35035 Mestrino (PD), Italy
Tel. +39 049 5125000 - Fax +39 049 5125950
www.dabpumps.com

Receiver

From

Society
Reference
Address
Phone
Fax
E-mail

1 ESYBOX MAX 60/120 T



Dimensions in mm					Pump connection
1	A	375	H3	87	Suction 1"1/4 - 2" G 11,84 atm Discharge 1"1/4 - 2" G 11,84 atm
2	B	384	L	59,5	
3	C	131,8			
4	D	124,5			
5	DNA	1"1/4 - 2"			
6	DNM	1"1/4 - 2"			
7	E	127,7			
8	F	526			
9	G	45			
10	H	766			
11	H1	613			
12	H2	228			

MAIN_PROJECT_TITLE	BUSINESS_PROCESS_ID	OWNER	ISSUE_DATE 2022-10-10
--------------------	---------------------	-------	---------------------------------